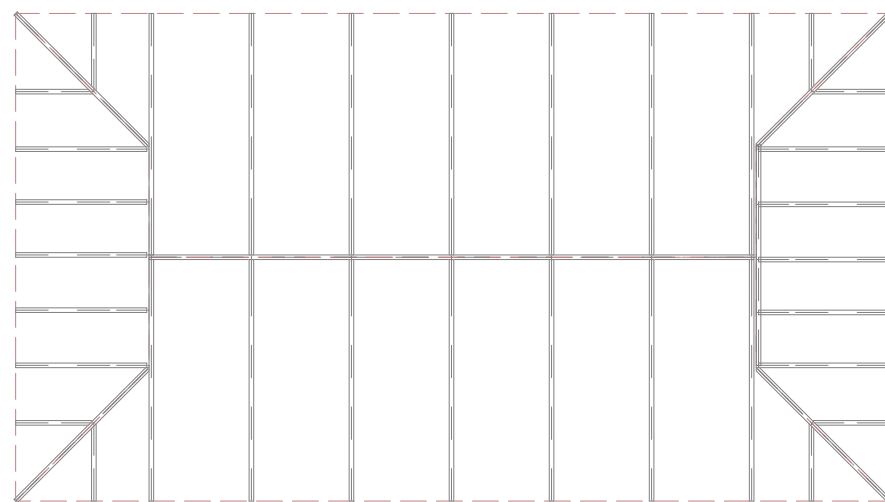


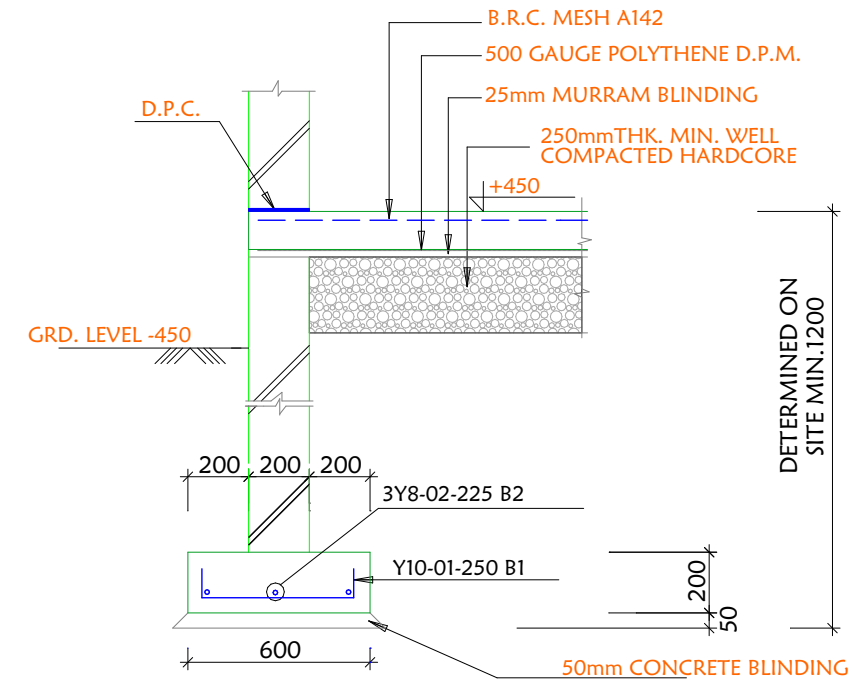
ROOF PLAN

Legend

→ Direction of fall

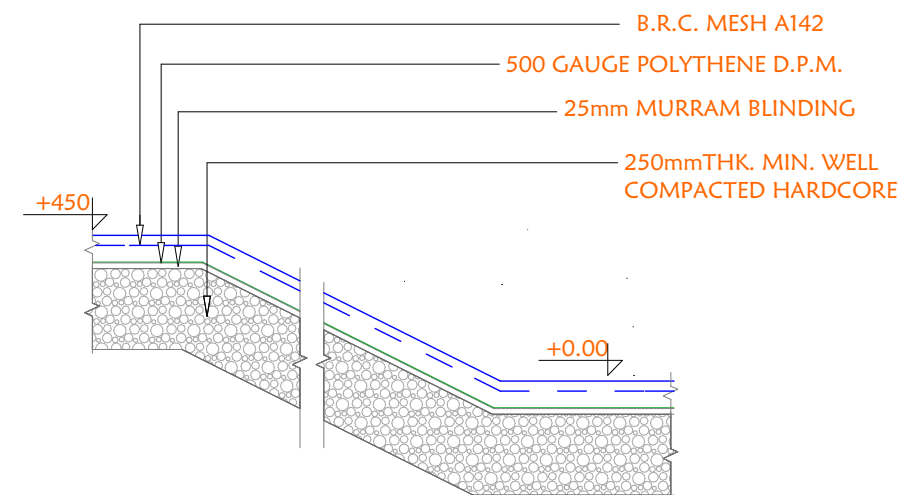


TRUSS LAYOUT



SECTION A-A
SCALE 1:25

FOUNDATION FOOTING DETAIL



SECTION D-D
SCALE 1:25

RAMP DETAILS

PROJECT.
PROPOSED BAIDOA BOREHOLE
IN SOUTHWEST STATE

SHEET TITLE:
FLOOR LAYOUT

| | | | |
|--------------|------------|--------------------------|----------------|
| SCALE | | DRAWING TITLE: | GENERATOR SHED |
| DATE | FEB . 2018 | DRAWING N ^o : | |
| DESIGNED BY: | W.D | PROJECT N ^o : | |
| DRAWN BY: | | | |
| REVIEWED BY: | | | |
| APPROVED BY: | | | |

SHEET N^o: